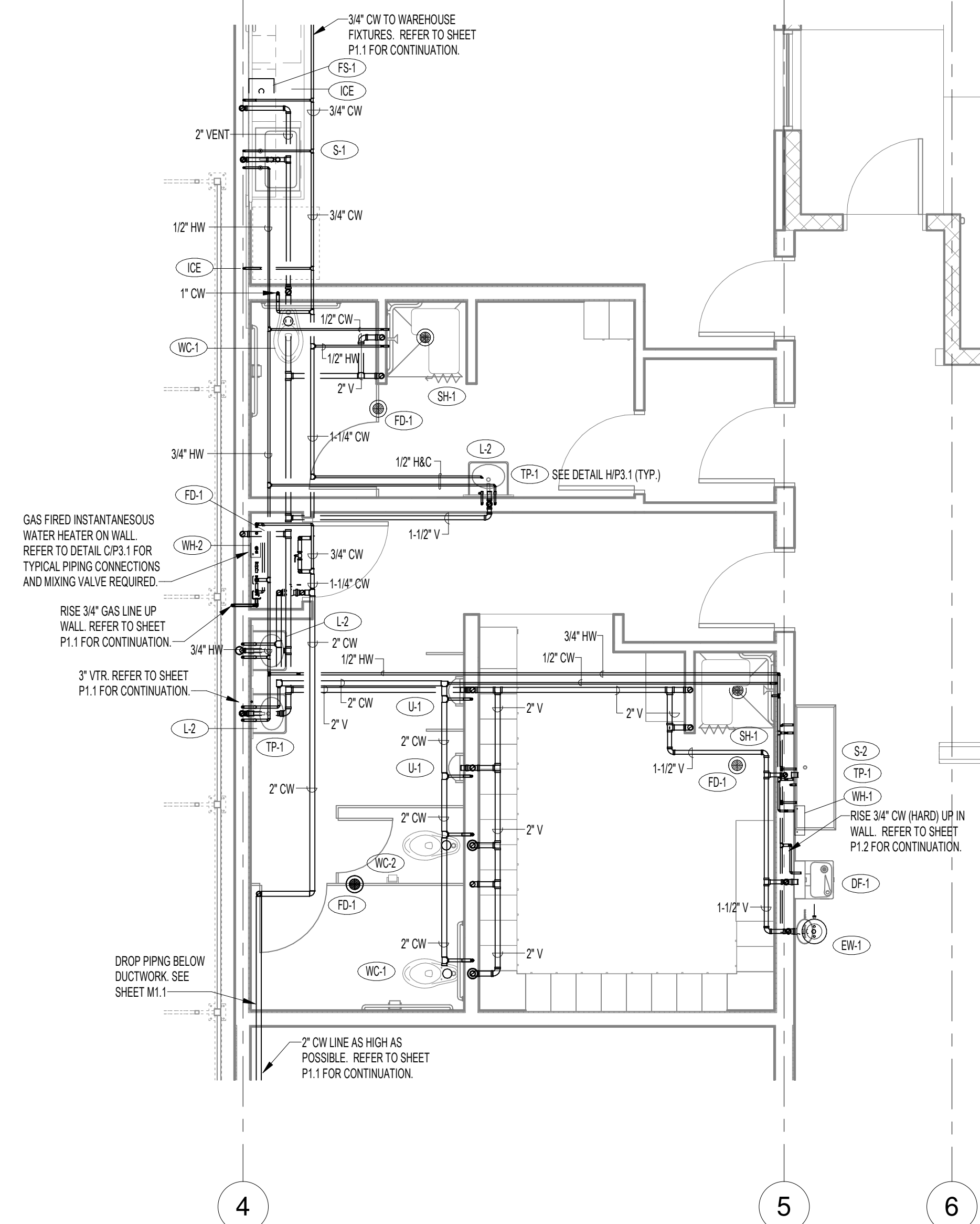
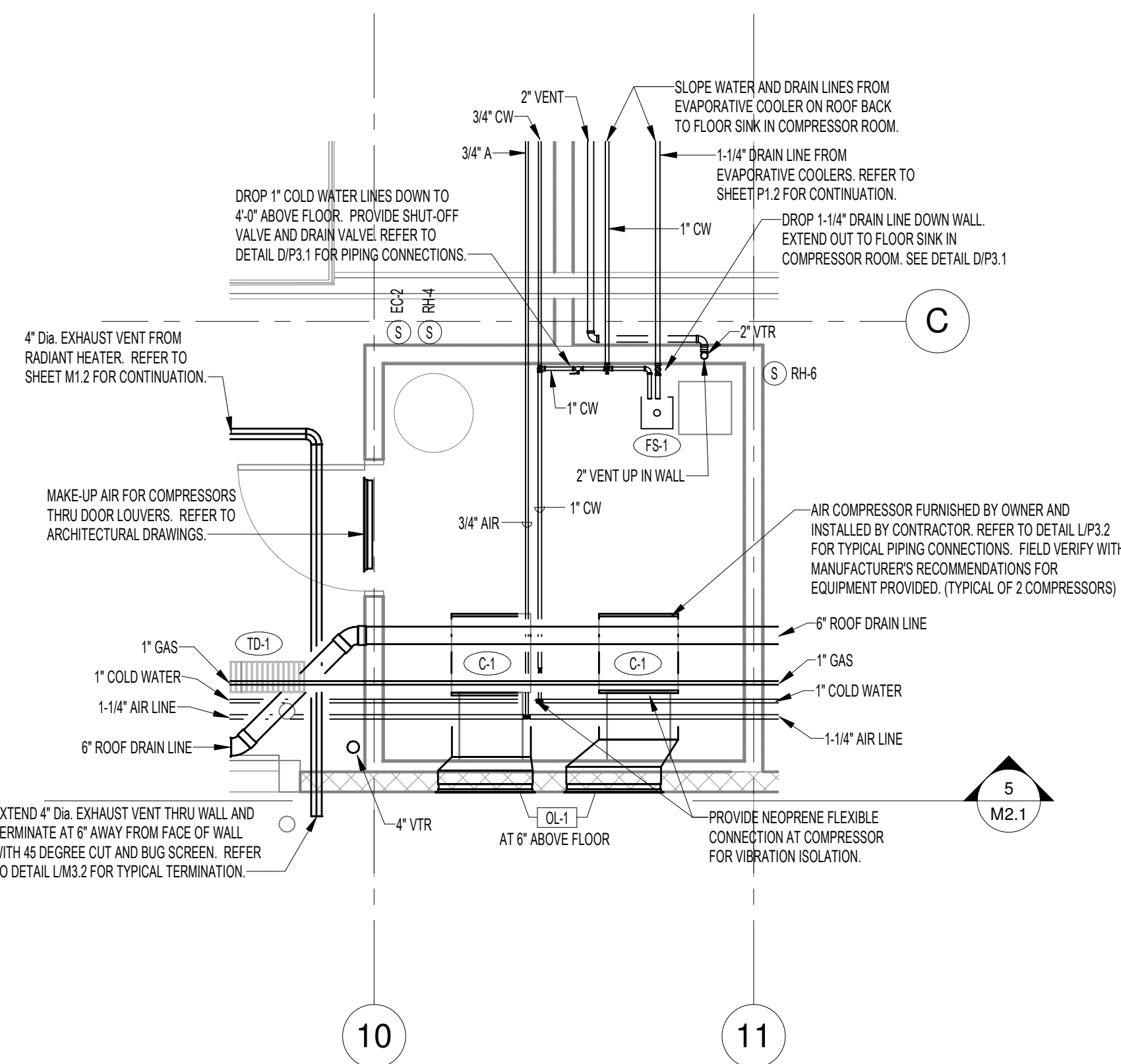


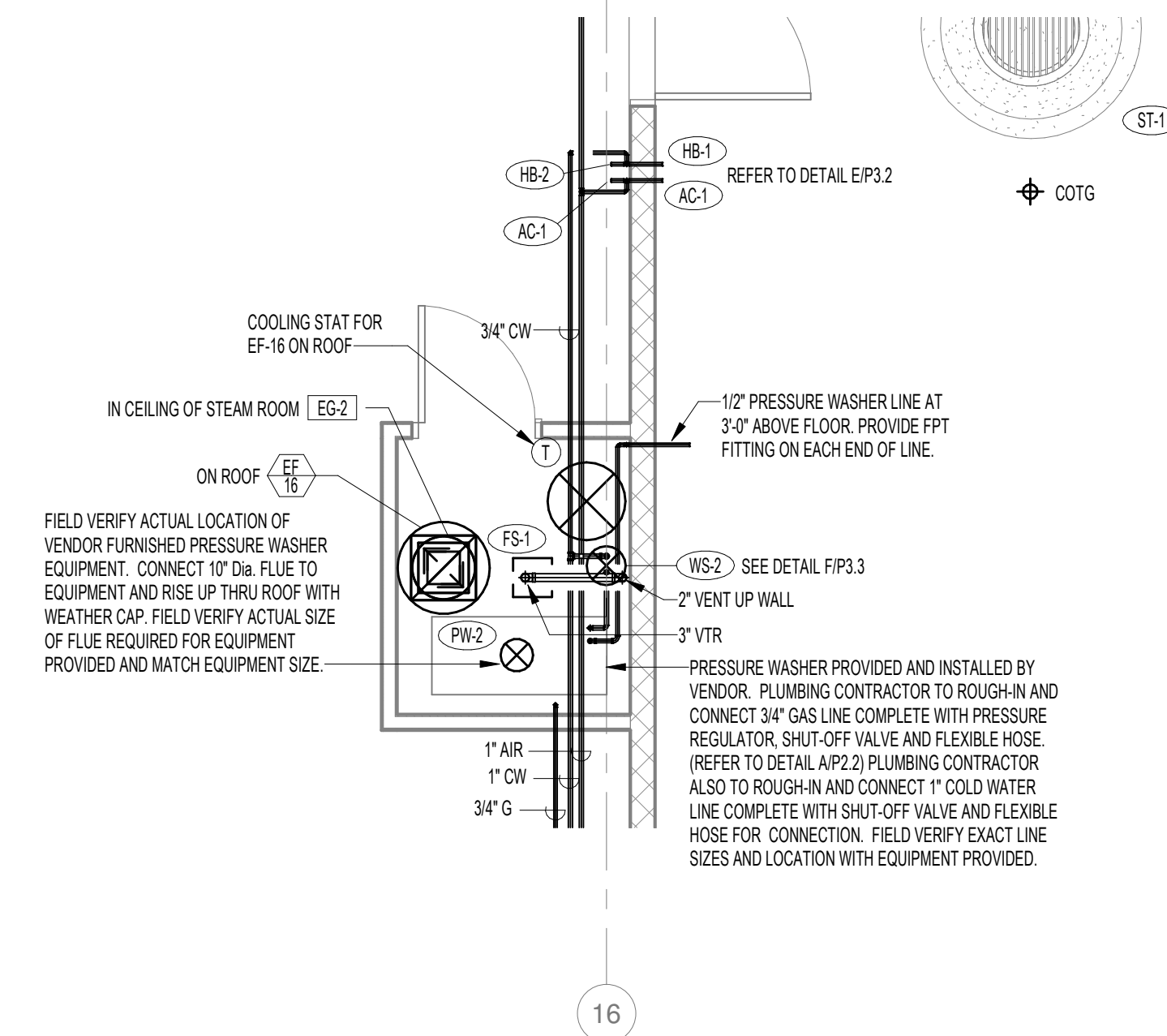
A LARGE SCALE TOILET ROOMS
SCALE: 1/4" = 1'-0"



B LARGE SCALE LOCKER ROOMS
SCALE: 1/4" = 1'-0"



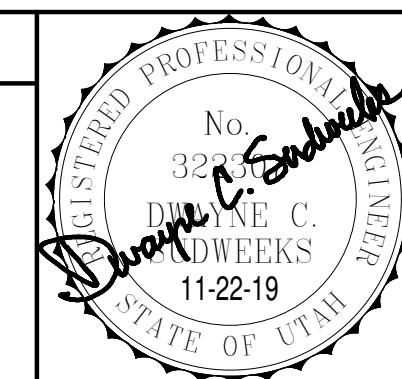
C LARGE SCALE COMPRESSOR ROOM
SCALE: 1/4" = 1'-0"



D LARGE SCALE PRESSURE WASHER ROOM
SCALE: 1/4" = 1'-0"

GENERAL NOTES:

- A- THE CONTRACTOR SHALL CHECK AND VERIFY ALL DIMENSIONS AND CONNECTIONS ON THE JOB SITE. ALL WORK SHALL BE EXECUTED FROM MEASUREMENTS TAKEN AT THE SITE.
- B- THE MECHANICAL CONTRACTOR SHALL BE RESPONSIBLE TO INSURE PROPER CODE CLEARANCES FOR ELECTRICAL AND MECHANICAL ACCESS WHEN INSTALLING ANY EQUIPMENT SUPPLIED BY THE MECHANICAL CONTRACTOR.
- C- IT IS CRITICAL THAT THIS CONTRACTOR COORDINATE EQUIPMENT LOCATIONS WITH PIPING, DUCTWORK, ELECTRICAL CONDUIT AND BUILDING STRUCTURE TO INSURE CODE COMPLIANCE.
- D- CEILING DIFFUSERS ARE SHOWN IN APPROXIMATE LOCATIONS. REFER TO LIGHTING PLANS AND REFLECTED CEILING PLAN FOR EXACT LOCATIONS.
- E- DUCT DIMENSIONS CALLED OUT ON DRAWINGS ARE INSIDE FREE AREA DIMENSIONS. ACOUSTICAL DUCT LINE ARE TO BE ADDED TO OVERALL MEASUREMENTS.
- F- ALL DUCTWORK AND PIPING WHICH PASSES THRU FIRE RATED WALLS TO BE FIRE STOPPED WITH APPROVED FOAM OR SEALANT. REFER TO SPECIFICATIONS FOR APPROVED MANUFACTURERS.



Engineered Systems Associates
1355 EAST CENTER
POCATELLO, IDAHO 83201
PHONE: (208) 233-0501
FAX: (208) 233-0529
EMAIL: esa@engsyslemis.com
ESA JOB NUMBER: 19035

PROJECT NO. 16066
DATE: NOVEMBER 2019
DRAWN BY: M Jensen
CHECKED BY: D Sudweeks

DRAWING NO.:

P2.1

A NEW BUILDING FOR:
KENWORTH SALES COMPANY INC.
1750 SOUTH 1350 WEST
NEW HAVEN, UTAH

nbw architects p.a.
ARCHITECTURE / PLANNING / INTERIORS
SCOTT L NELSON, A.I.A. KEVIN R BODILY, A.I.A. JAMES H WYATT, A.I.A.
990 JOHN ARBON PARKWAY, P.O. BOX 2212, IDAHO FALLS, IDAHO 83402-2212
(208) 208-5322, 8776 (T) 208-532-8765 (W) nbwarchitects.com

LARGE SCALE PLANS & PIPING DIAGRAMS

SHEET TITLE:

NO.	REVISIONS